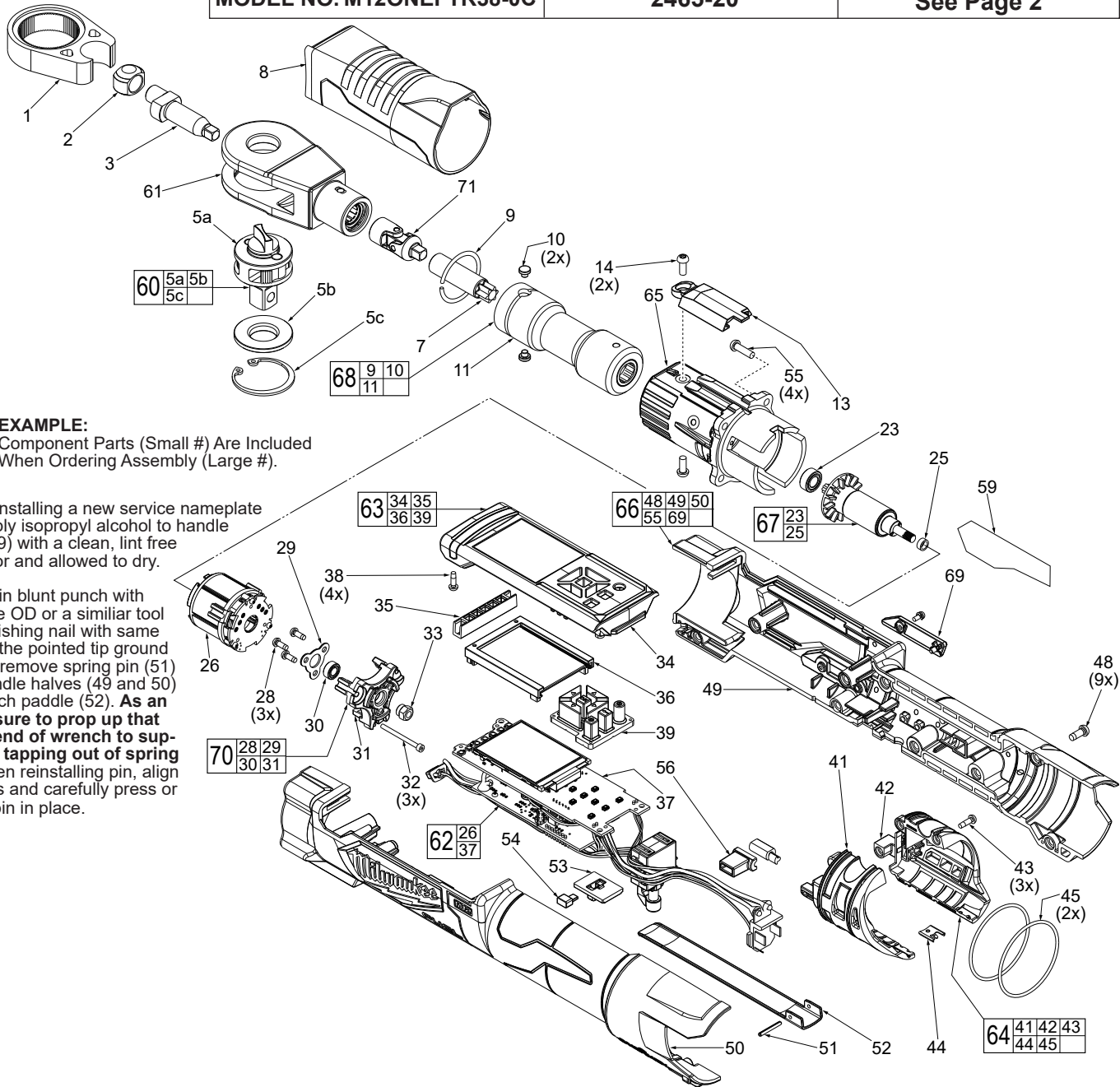




SERVICE PARTS

SPECIFY CATALOG NO. AND SERIAL NO. WHEN ORDERING PARTS		REVISED BULLETIN	DATE
M12™ FUEL™ 3/8" POWER TORQUE RATCHET			Aug. 2019
MODEL NO. M12ONEFTR38-0C	2465-20	WIRING INSTRUCTION See Page 2	



EXAMPLE:

00
0

 Component Parts (Small #) Are Included When Ordering Assembly (Large #).

NOTES:
 Prior to installing a new service nameplate (59), apply isopropyl alcohol to handle cover (49) with a clean, lint free applicator and allowed to dry.

Use a thin blunt punch with the same OD or a similar tool like a finishing nail with same OD and the pointed tip ground down to remove spring pin (51) from handle halves (49 and 50) and switch paddle (52). **As an aid, be sure to prop up that corner end of wrench to support the tapping out of spring pin.** When reinstalling pin, align the holes and carefully press or tap the pin in place.

AS AN AID TO REASSEMBLY, TAKE NOTICE OF WIRE ROUTING AND POSITION IN WIRE GUIDES AND TRAPS WHILE DISMANTLING TOOL.

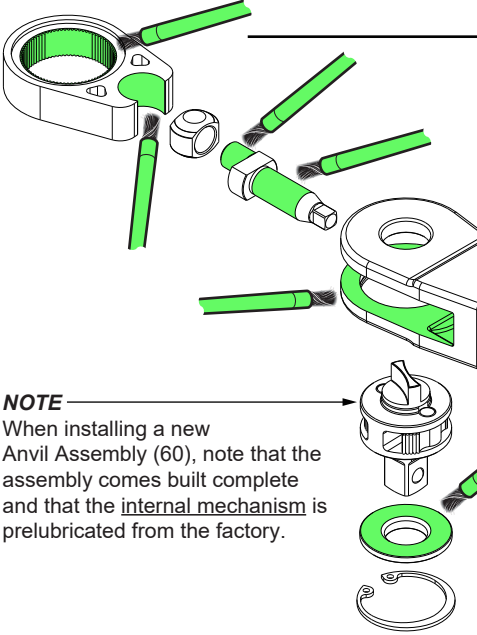
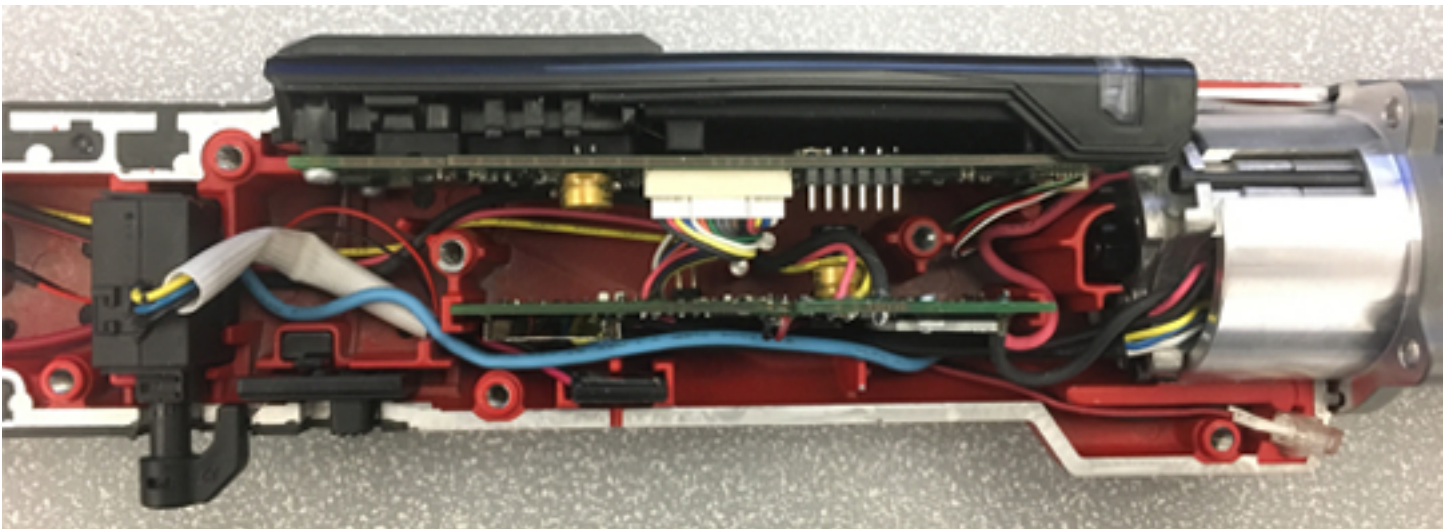
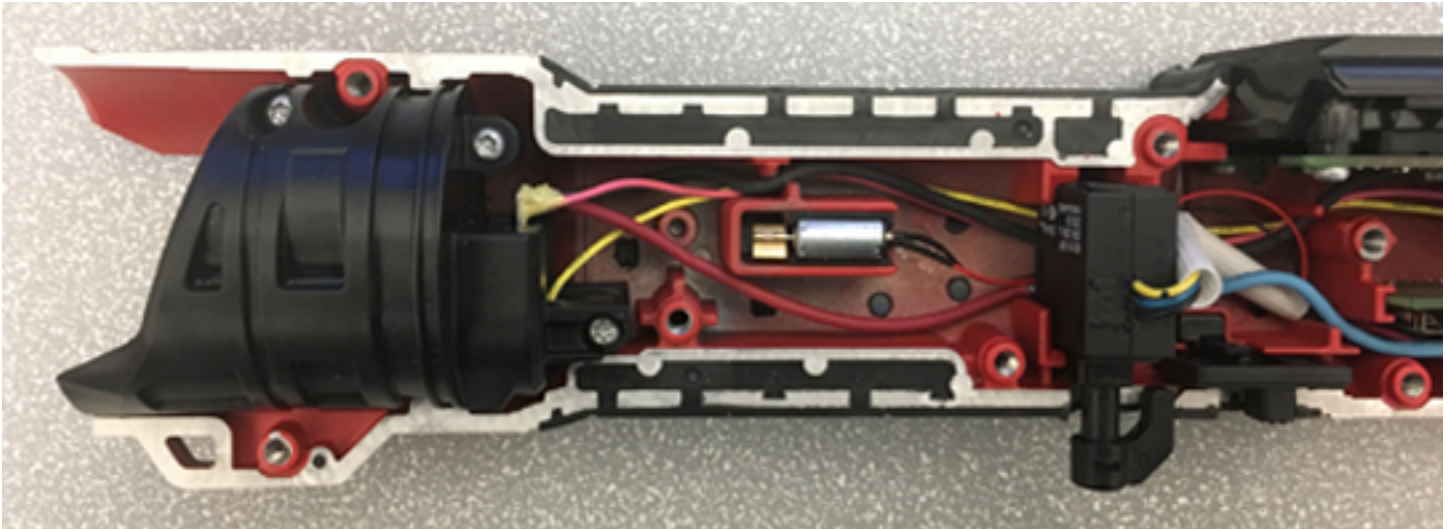
BE SURE THAT ALL COMPONENTS OF THE ELECTRONICS KIT ARE SEATED FIRMLY AND SQUARELY IN THE HANDLE RECESSES.

AVOID PINCHED WIRES, BE SURE THAT ALL WIRES AND SLEEVES ARE PRESSED COMPLETELY DOWN IN WIRE GUIDES AND TRAPS.

PRIOR TO SECURING THE HANDLE COVER ONTO THE HANDLE SUPPORT, BE SURE THAT THERE ARE NO INTERFERENCES.

BEFORE INSTALLING THE BATTERY, CHECK FOR PROPER FUNCTIONALITY OF SHUTTLE AND TRIGGERS.

INSTALL BATTERY AND DEPRESS SWITCH TRIGGER TO ASSURE TOOL IS OPERATING PROPERLY.



LUBRICATION
Use Type 'E' Grease,
No. 49084122 (14 oz. tub)

NOTE: When servicing, remove 90-95% of the existing grease prior to installing Type 'E'. Original grease may be similar in color but not compatible with 'E'. Clean gear assemblies with a clean, dry cloth.

Regarding parts to be lubricated:
Apply a liberal amount of grease, being sure all yoke teeth are coated.

NOTE
When installing a new Anvil Assembly (60), note that the assembly comes built complete and that the internal mechanism is prelubricated from the factory.